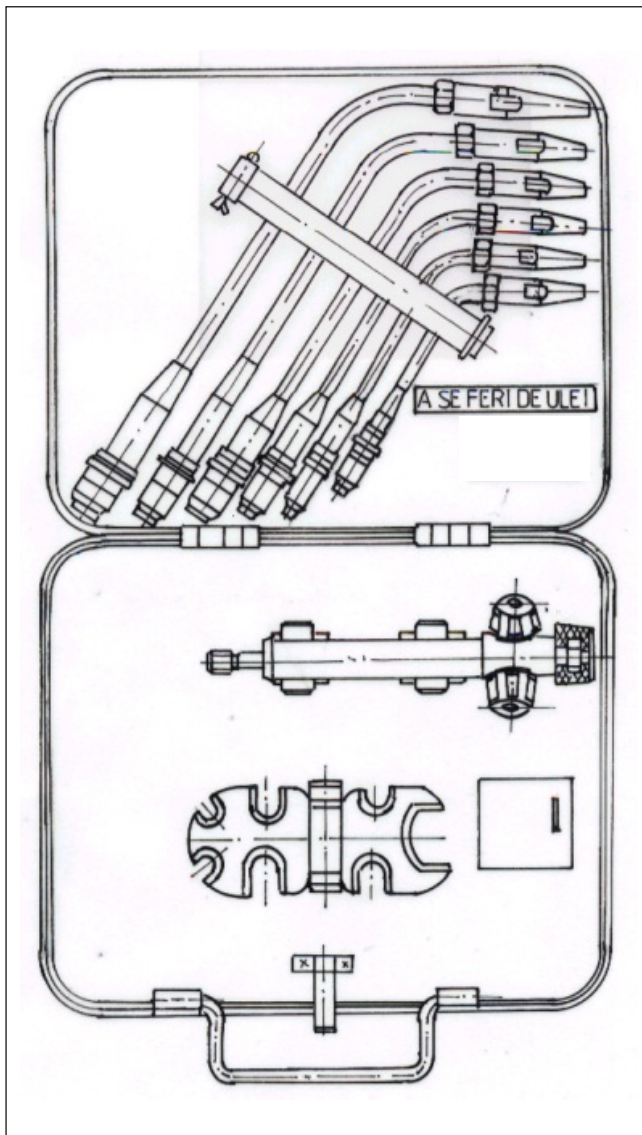


## TRUSA PENTRU SUDARE OXI - ACETILENA OXY - ACETYLENE WELDING KIT TSOA - 14



### CARACTERISTICI TEHNICE TECHNICAL CHARACTERISTICS

- Grosime material pentru sudare :max. 14 mm.
- Presiune oxigen : max. 2,5 bar.
- Presiune acetilena : max. 0,5 bar.
- Racord intrare :
  - oxigen : G1/4".
  - acetilena : G3/8" LH.
- Dimensiuni de gabarit :
  - inchis :274x206x71 mm.
  - deschis :410x274x39 mm.
- Thickness of material to be welded :  
max.14 bar.
- Oxygen pressure for cutting : max. 2,5 bar.
- Acetylene pressure max. : 0,5 bar.
- Inlet connection : - oxigen : G1/4".
  - acetylene: G3/8" LH .
- Overall dimensions :
  - closed. : 274x206x71 mm.
  - open : 410x274x39 mm.

TRUSE DE SUDARE SI TAIERE OXIGAZ;REDUCTOARE DE PRESIUNE PENTRU BUTELII DE GAZE;ROBINETI PENTRU BUTELII DE GAZE;  
APARATE DE TAIERE OXIGAZ;GENERATOARE SI MINIGENERATOARE ACETILENA; ROBINETI CU SFERA; ECHIPAMENT MEDICAL;  
ECHIPAMENT PENTRU INSTALATII SI REțele DE GAZE; CONFECTII METALICE; PIESE TURNATE DIN NEFEROASE; SERVICE.

OXY-GAS CUTTING AND WELDING KITS; PRESSURE REDUCERS FOR GAS CYLIDERS; ACETYLENE GENERATORS AND MINIGENERATORS ;  
ALL VALVES ;MEDICAL EQUIPMENT; DEVICES FOR DIVING EQUIPMENT; EQUIPMENT FOR GAS INSTALLATION AND NETWORKS; METAL  
CONSTRUCTION ;NON - FERROUS METAL CASTINGS;; SERVICE.